



Hearthaven™

60" bathroom vanity cabinet with sinks and quartz top
K-33539-ASB

Features

- Set includes cabinet, precut quartz vanity top, sinks, legs, and cabinet hardware
- Two full-extension 12-3/4" (325 mm) drawers with soft-close side-mount slides
- Two 18" (457 mm) cabinet interior spaces provide ample storage
- Three-way adjustable slow-close door hinges for easy cabinet access
- Finish-matched cabinet interior offers generous clearance for plumbing
- Customize your storage with optional accessories such as floor liners, drawer organizers, and perfectly sized containers (sold separately)
- Coordinates with K-33542 upgraded hardware finishes, K-25818 quartz backsplash, and K-25819 quartz side splash (sold separately)

Material

- Quartz vanity top adds beauty and long-lasting durability
- Solid wood and moisture-resistant MDF
- Painted exterior

Installation

- Easy installation – no special tools required
- Separate vanity top makes for simplified installation



Codes/Standards

ASME A112.19.2/CSA B45.1
EPA TSCA Title VI/CARB P2



KOHLER® One-Year Limited Warranty

See website for detailed warranty information.

Available Colors/Finishes

Color tiles intended for reference only.

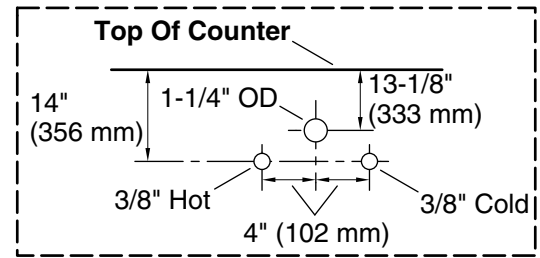
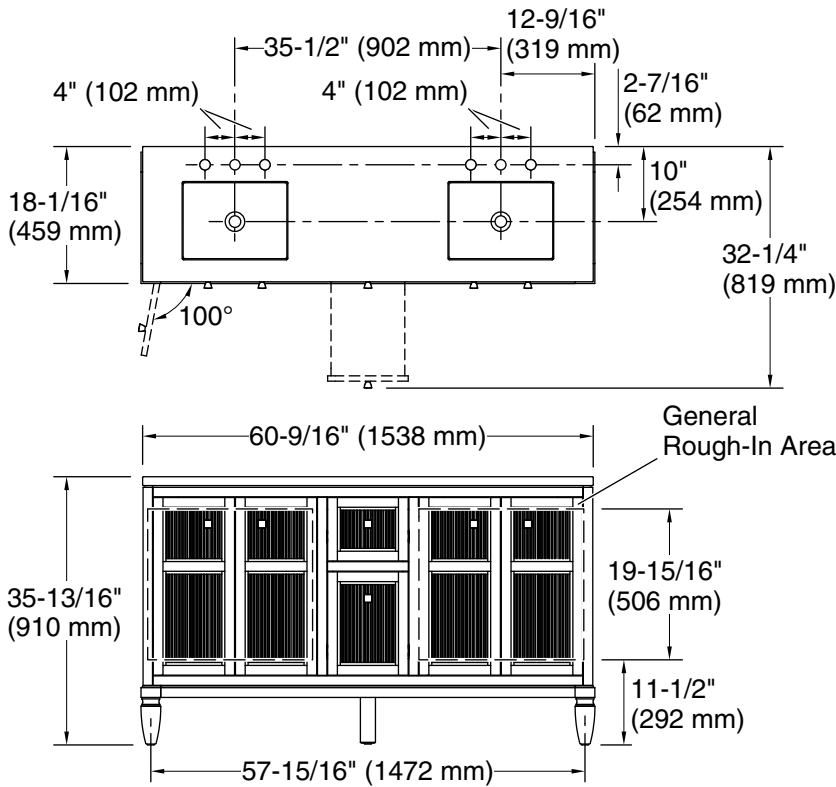
Color	Code	Description
-------	------	-------------

	0	White
	1WX	Grey Slate

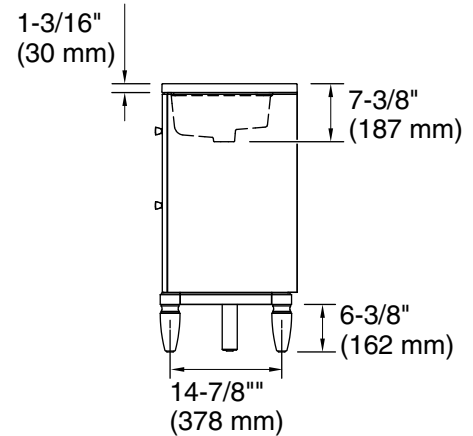


Hearthaven™

60" bathroom vanity cabinet with sinks and quartz top
K-33539-ASB



Waste Pipe Location Information



Technical Information

All product dimensions are nominal.

Notes

Install this product according to the installation instructions.